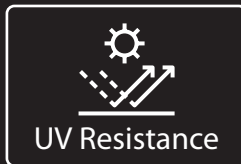
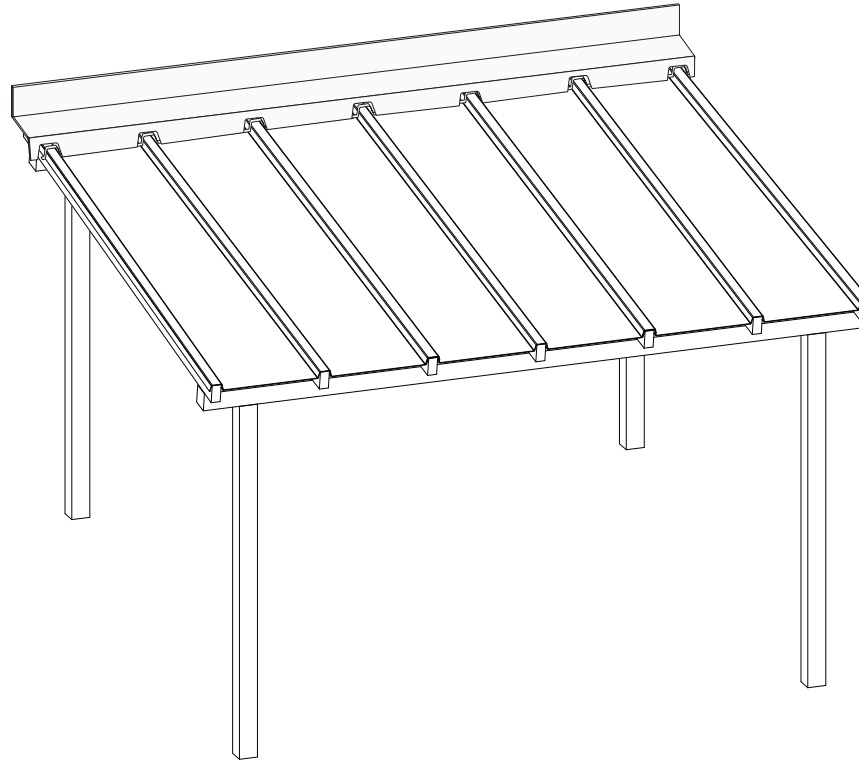




# EZ Glaze™ 50 | Installation Guide



EZ Glaze™ - Product Page 



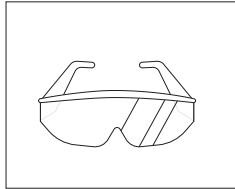
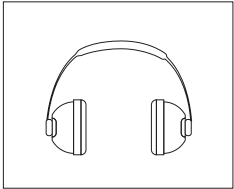
Installations video 



PALRAM Webseite 

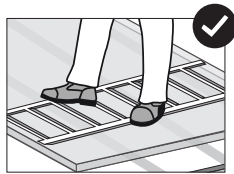
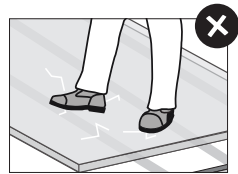
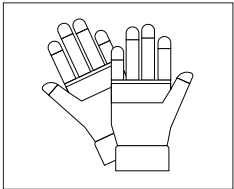
# Installation

## Safety comes first

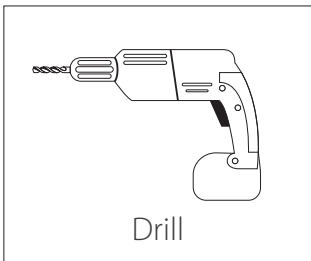


Do not step directly on the sheets between the purlins!

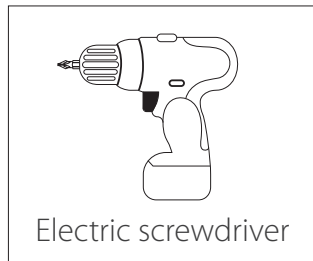
When installing EZ Glaze or doing maintenance work, always use stepping ladders or crawling boards, supported by minimum three roof structural elements.



## Required Tools



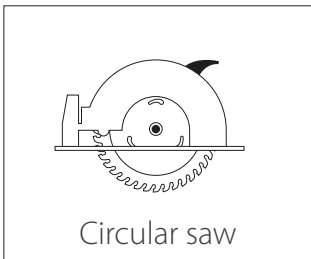
Drill



Electric screwdriver

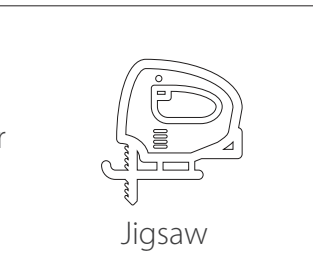


Ladder

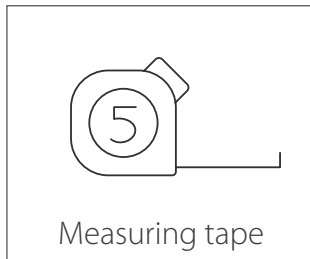


Circular saw

or

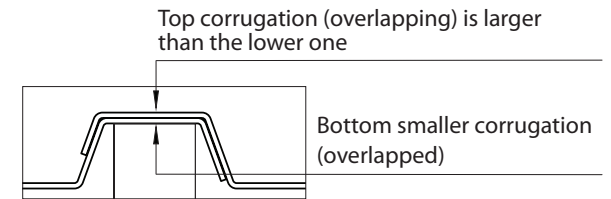
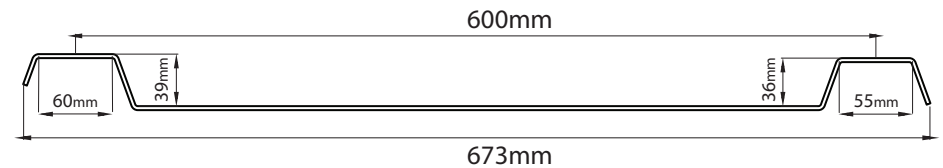
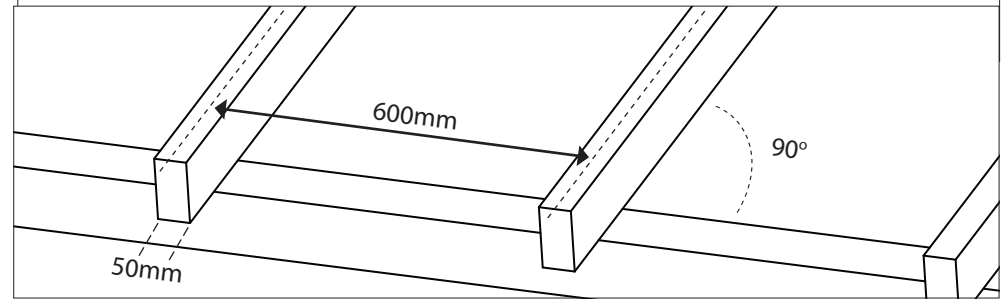


Jigsaw



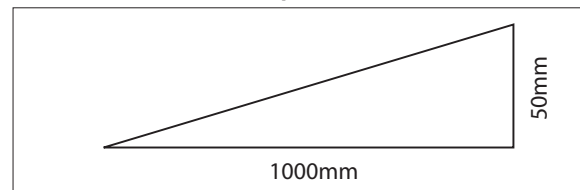
Measuring tape

## 1 Rafter spacing



- EZ Glaze 50 is designed for rafters whose width is 50mm or less.
- Distance between rafters must be 600 mm (center to center).
- Make sure the rafters are perfectly perpendicular to the beams/wall.
- EZ Glaze requires rafters support only, no purlins are required.

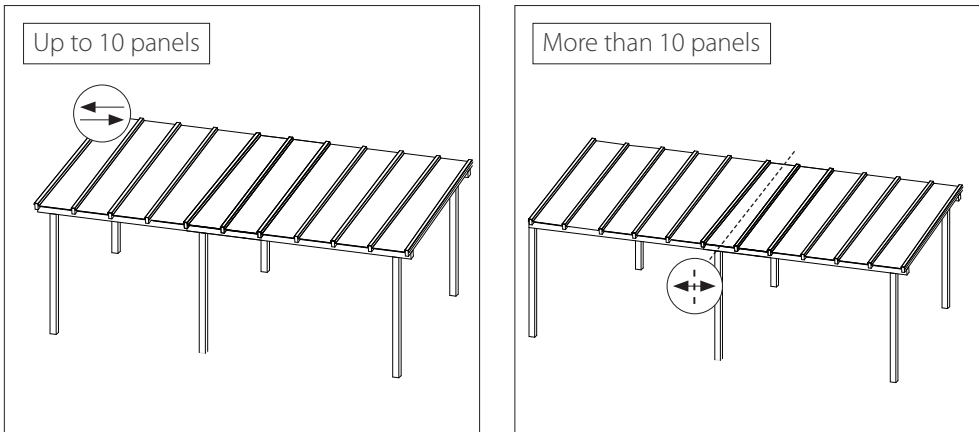
## 2 Minimum Roof Slope



- To ensure proper water runoff, slope should be at least 5% (50mm rise over 1m length).

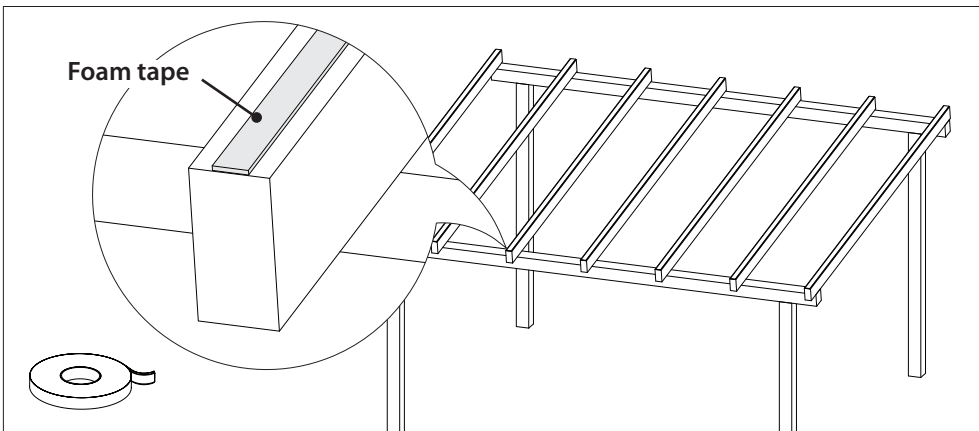
# Installation

## \* EZ Glaze - Installation direction recommendation



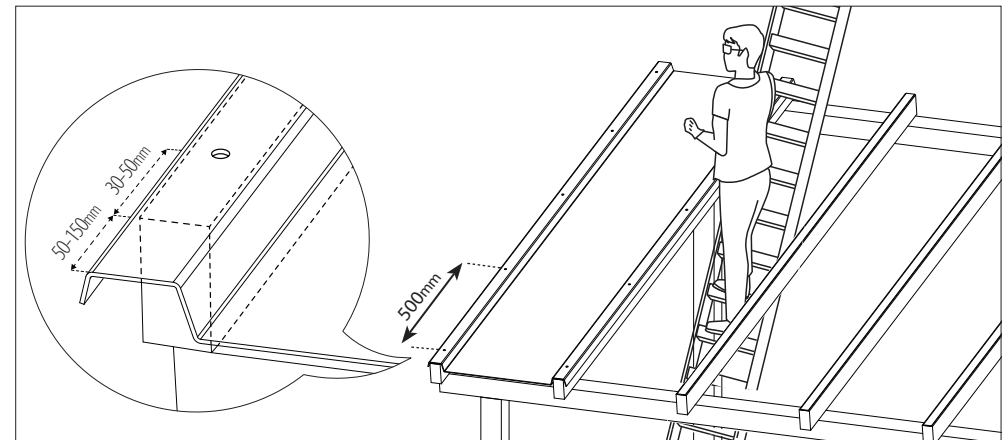
Set the EZ Glaze panels according to the direction recommendation instruction to reduce the cumulative deflection when installing a large number of panels.

## 3 Foam tape application (optional)



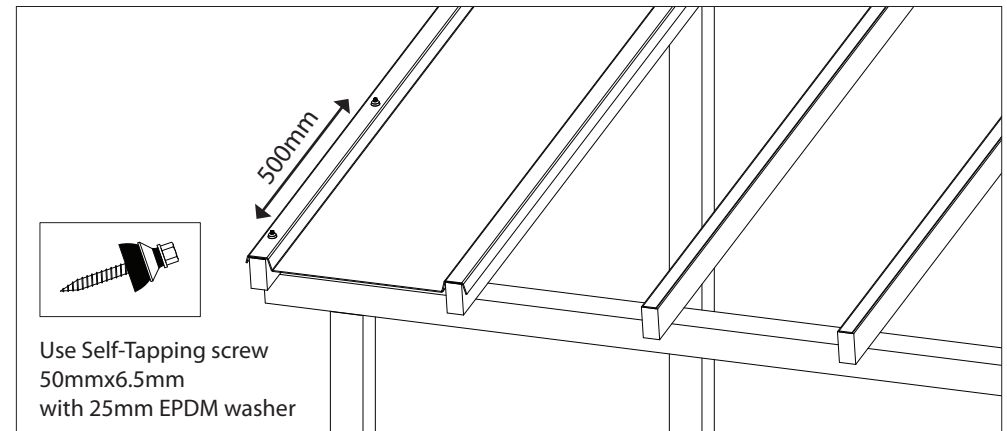
Applying foamed tape on each rafter will reduce friction and noise due to thermal expansion.

## 4 Setting the first EZ Glaze panel



- Set the first EZ Glaze panel on the rafters, leaving 50-150mm overhang.
- **Drill** 10 mm holes along the outer corrugation, every 500mm.
- First and last drills should be located 30mm-50mm from the rafter's top and bottom edges.

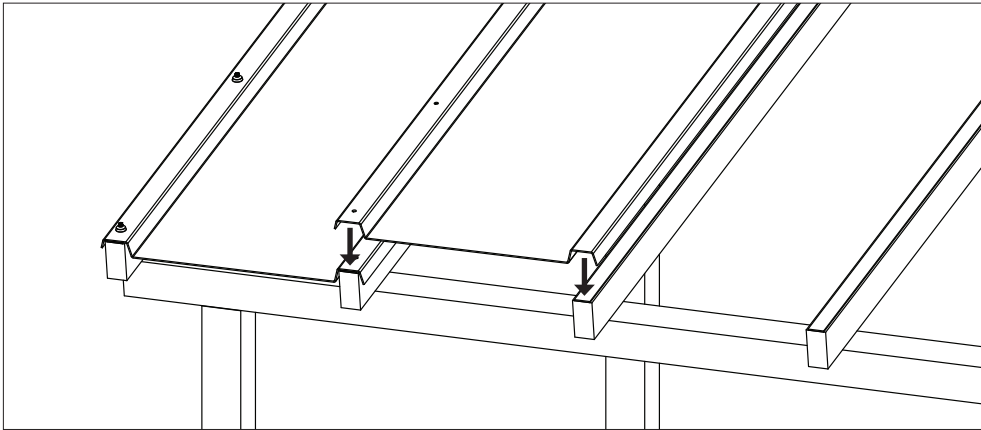
## 5 Fixing the first EZ Glaze panel



Fix the first EZ Glaze panel's outer corrugation, using specified screws and washers through the pre-drilled holes. Start at the bottom edge and work your way up.

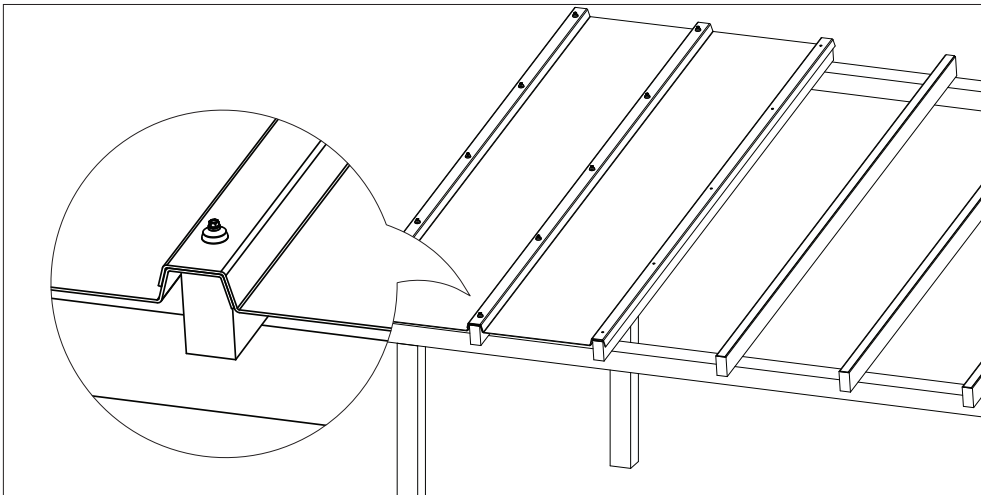
# Installation

## 6 Setting the second EZ Glaze panel



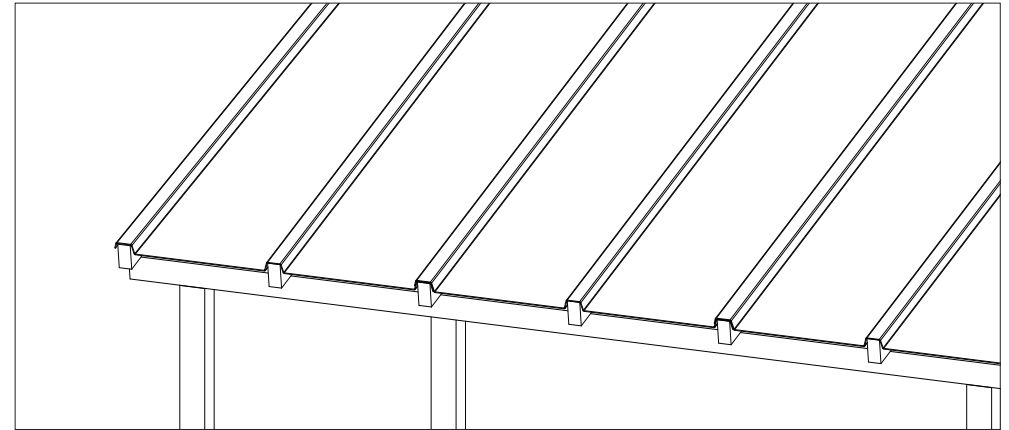
- Set the second panel, lateral overlapping the first one.
- Drill 10mm holes through **both** panels on the lateral overlap, every 500mm.

## 7 Fixing the second EZ Glaze panel



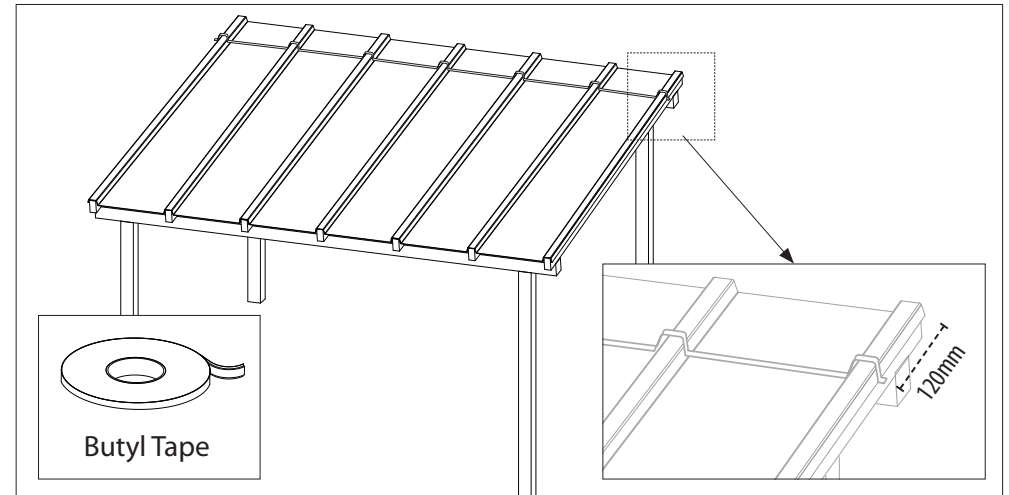
Fix both panels together, using specified screws and washers through the pre-drilled holes. Start at the bottom edge and work your way up.

## 8 Completing the installation



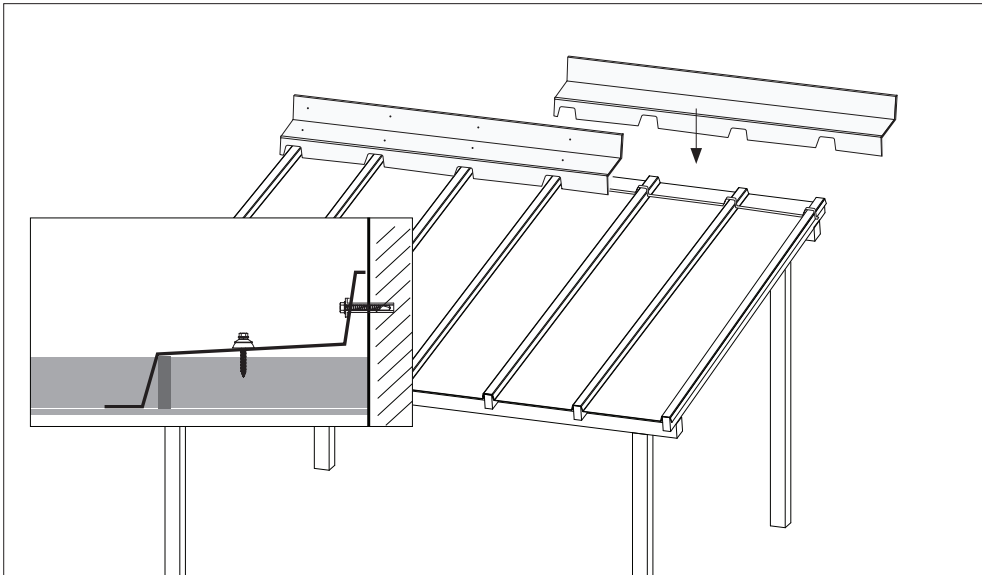
Repeat stage 6 & 7 with the remaining panels.

## 9 Applying Butyl tape

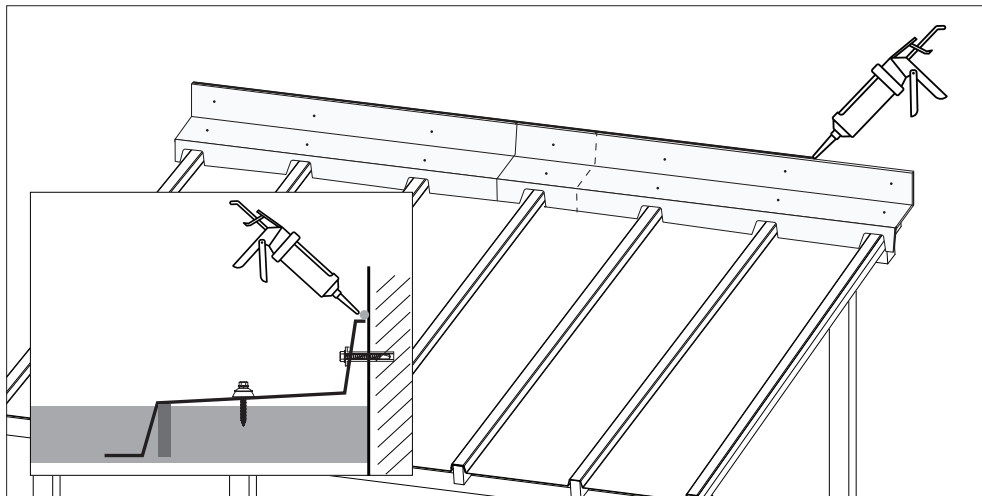


# Installation - Finishing

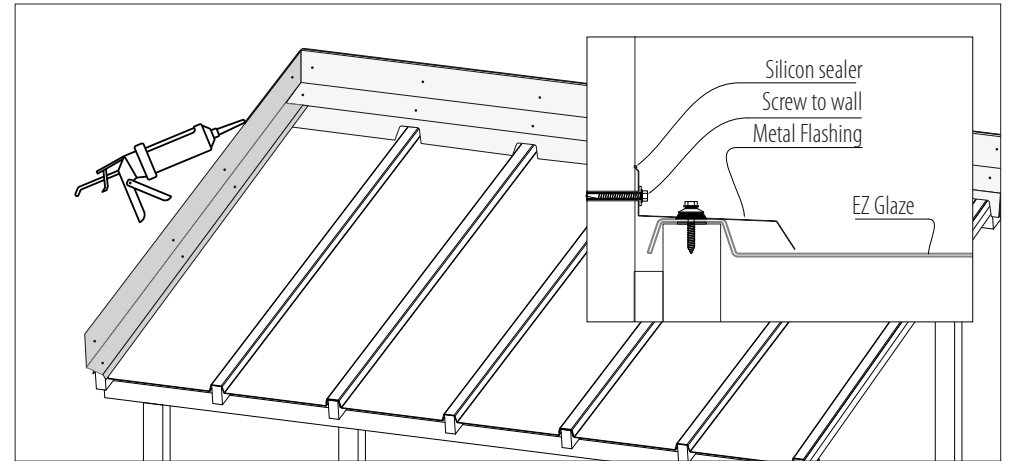
## 10 Installing Head Wall Flashing (Purchased Separately)



## 11 Applying Silicone (purchased separately)

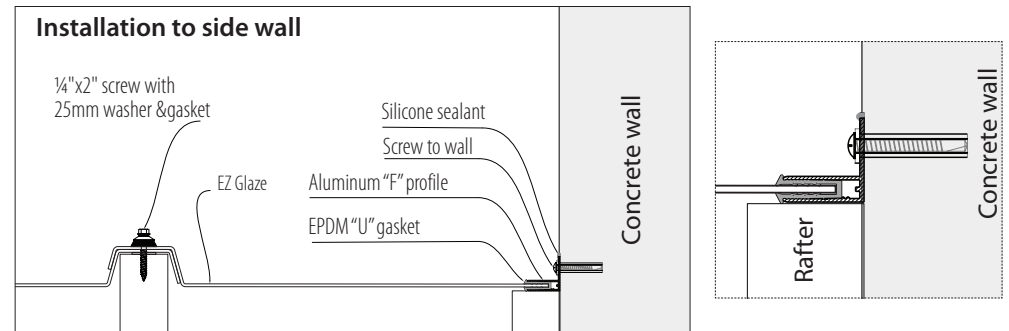


## 12 Side Wall Flashing (Purchased Separately)

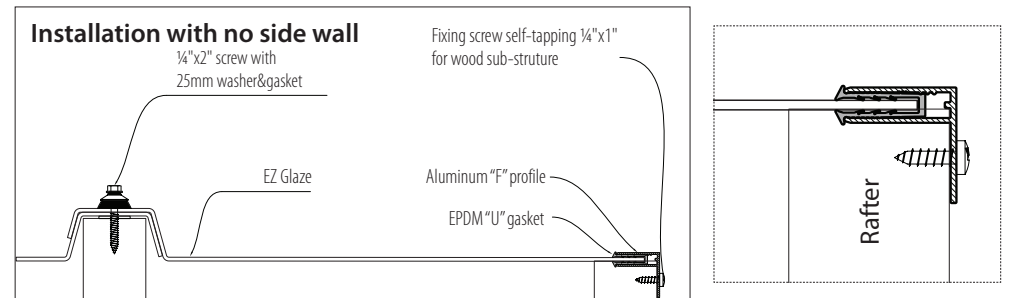


## \* Side Wall finish when the panel is trimmed (Purchased Separately)

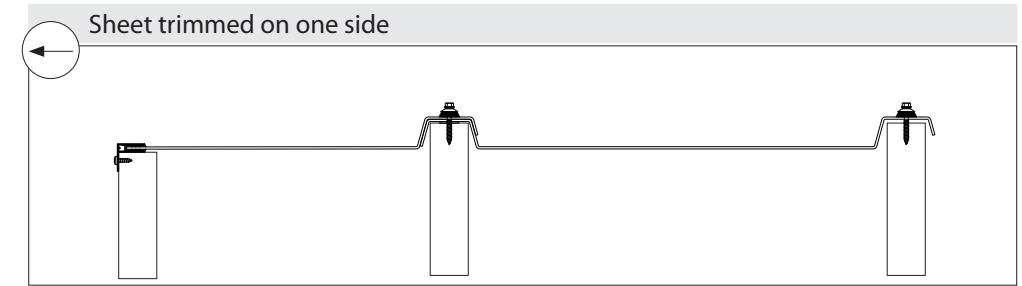
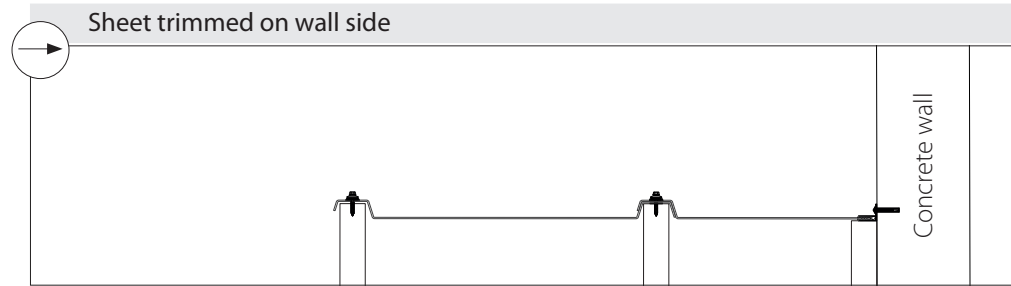
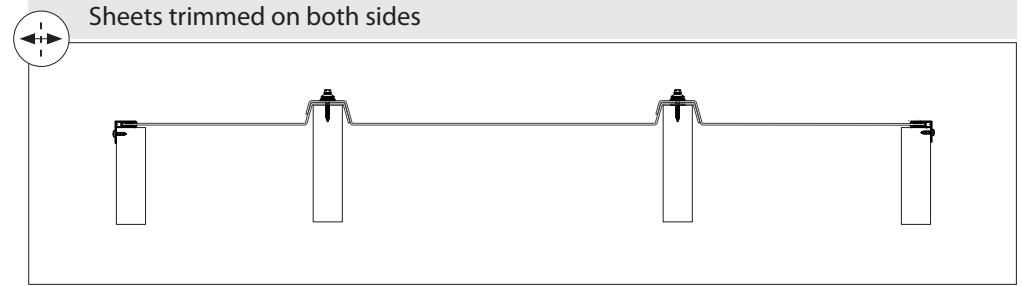
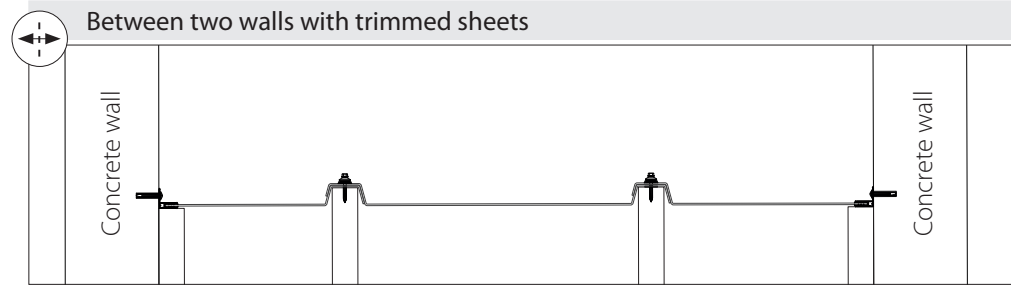
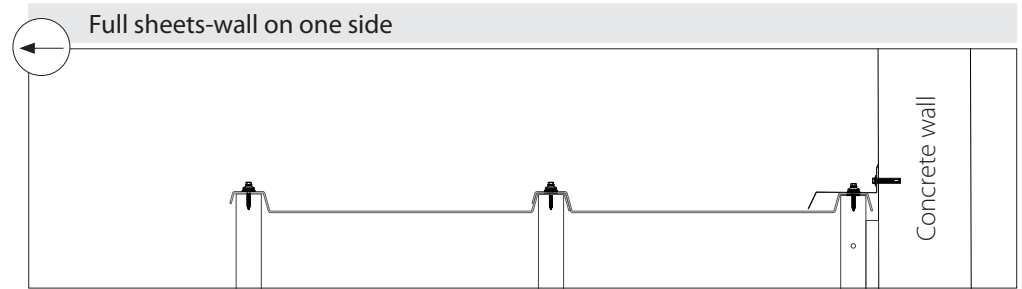
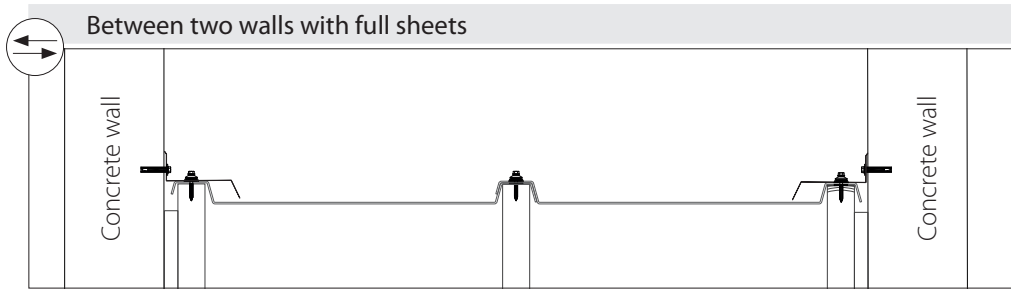
### Installation to side wall



### Installation with no side wall



# Installation variation and directions



**PALRAM H.Q.**  
 Tel: +972 4 8459900  
 Fax: +972 4 8444012  
 palram@palram.com  
 www.palram.com

**PALRAM EUROPE LTD.**  
 Tel: +44 1302 380777  
 Fax: +44 1302 380788  
 sales.europe@palram.com

